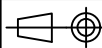
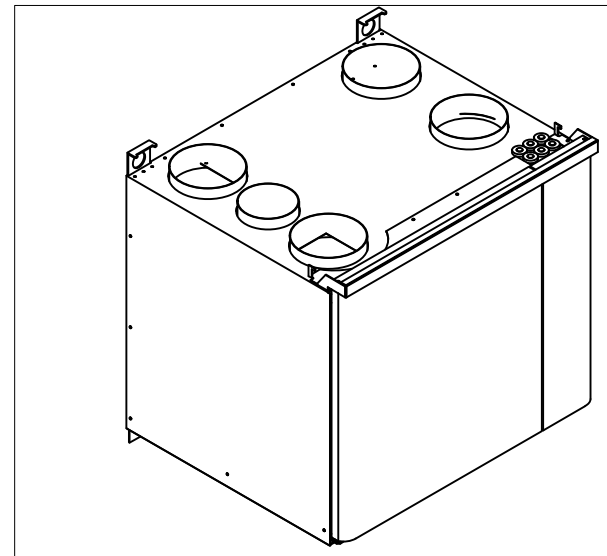
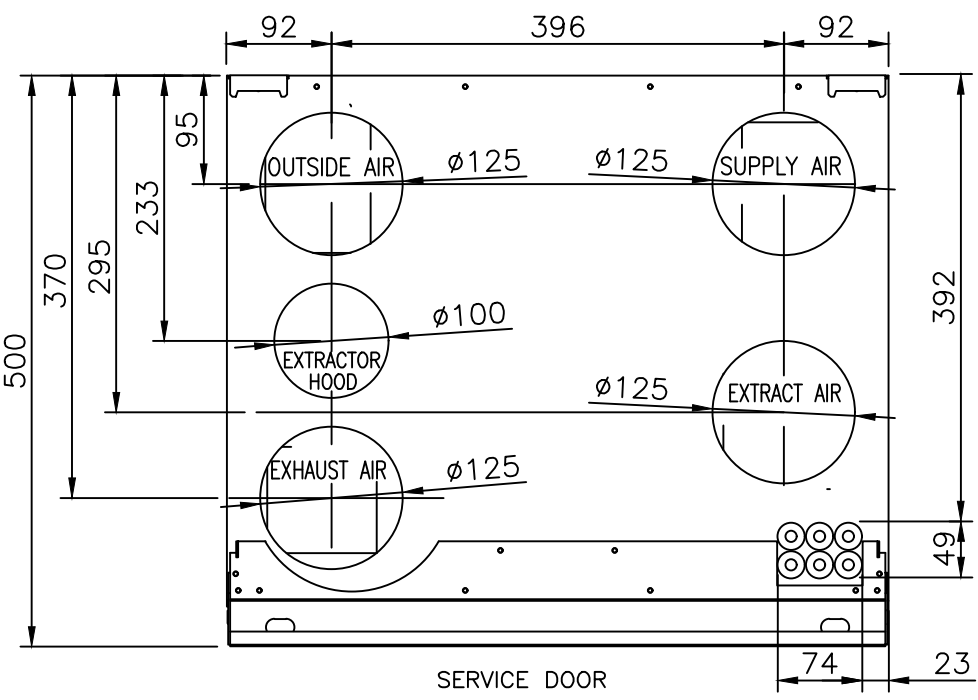
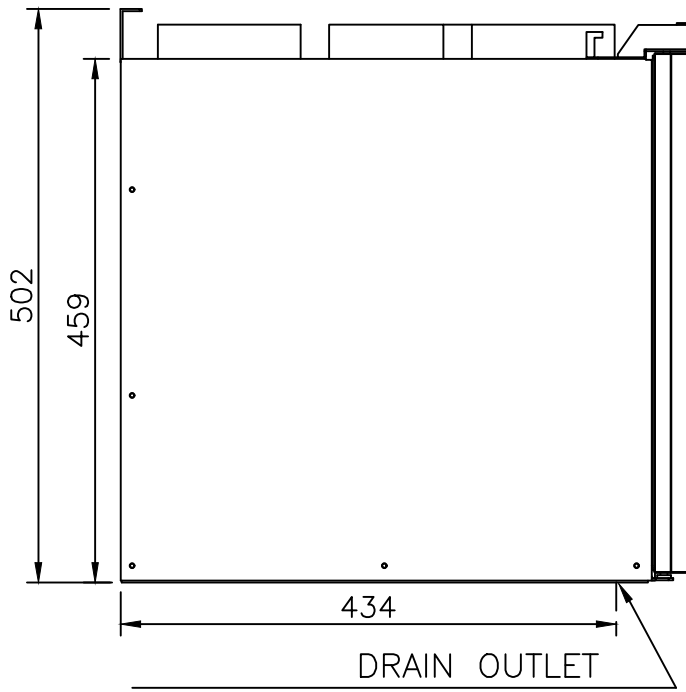
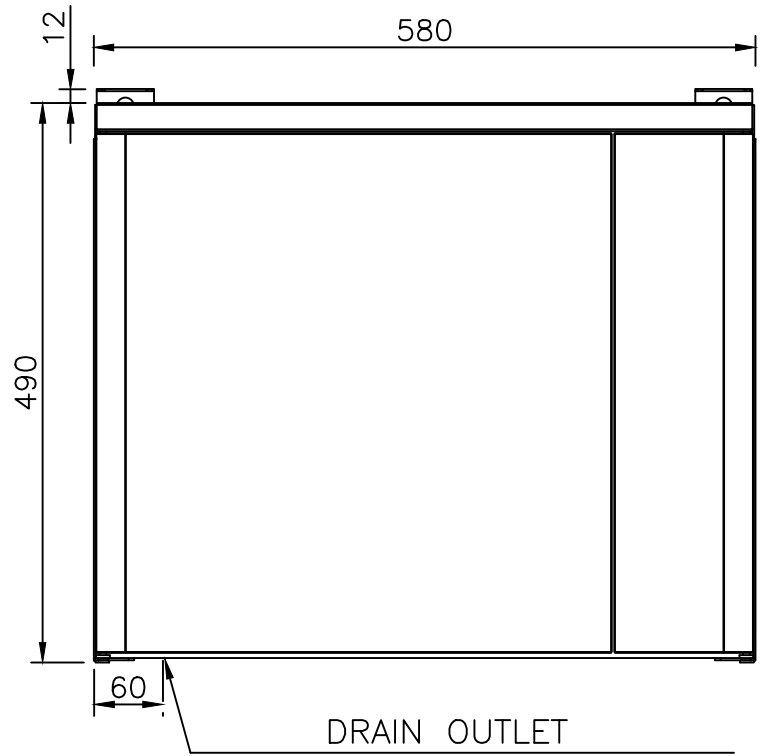


YLEISTOLERANSSIT		Item			Quantity		Title/Name, designation, material, dimension etc			Article no./Reference		
Hitsatut rakenteet: EN ISO 13920-AE		Designed by J.T		Checked by		Approved by		 Filename U:\PINGVIN		Date 2017 10 31		Scale 1:1
Koneistetut osat: ISO 2768-mK		SALLA right $\varnothing 160$					Title/Name DIMENSION DRAWING			Weight kg		
20020528		Enervent Oy Kipinätie1, FIN- 06150 PORVOO Tel. +358-207-528800, enervent@ensto.com					Drawing number SALLA 001			Edition A		Sheet 1

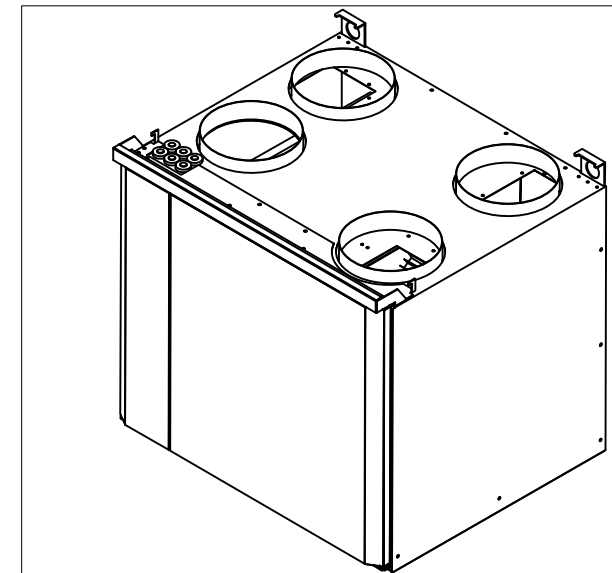
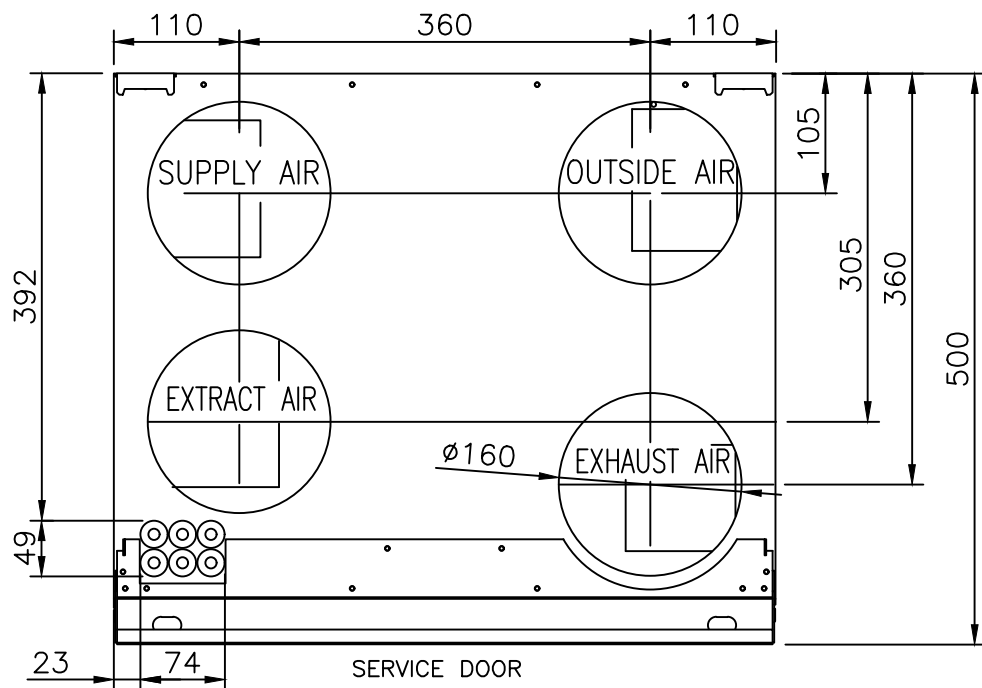
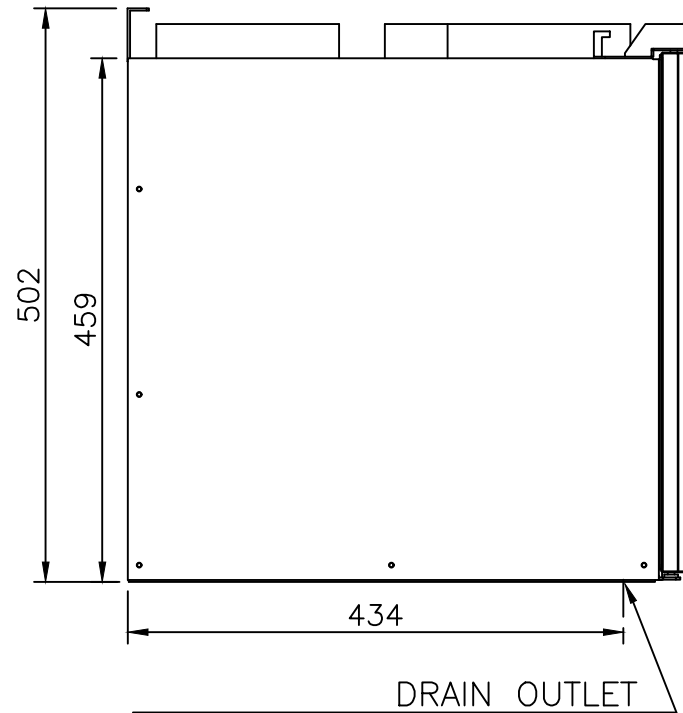
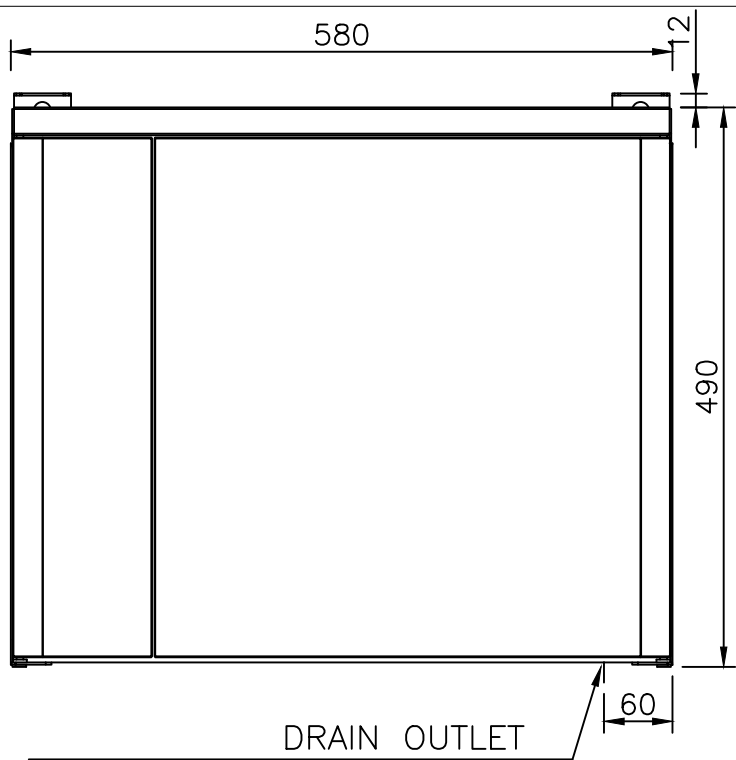
Rev	Revision note	Date	Signature	Checked
-----	---------------	------	-----------	---------



YLEISTOLERANSSIT  
 Hitsatut rakenteet:  
 EN ISO 13920-AE  
 Koneistetut osat:  
 ISO 2768-mK

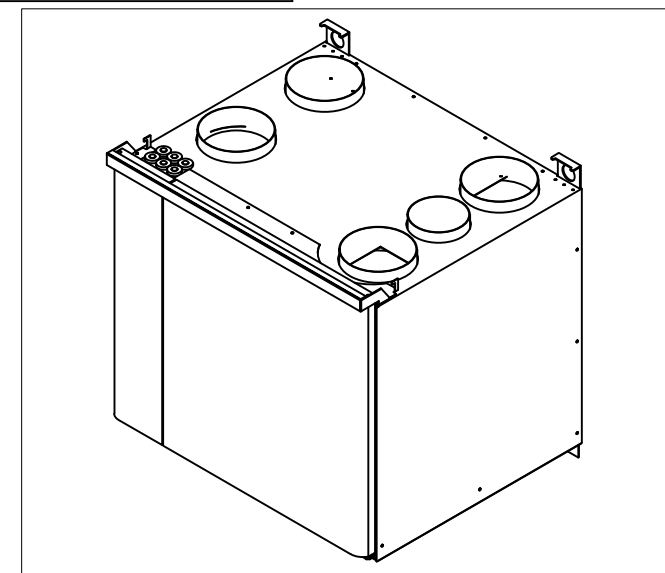
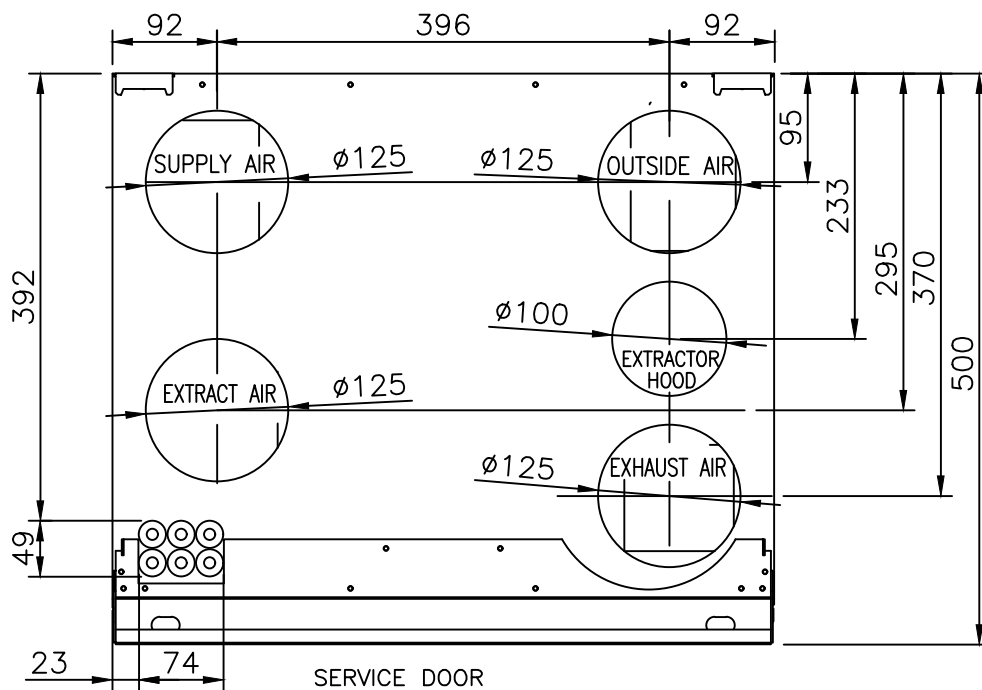
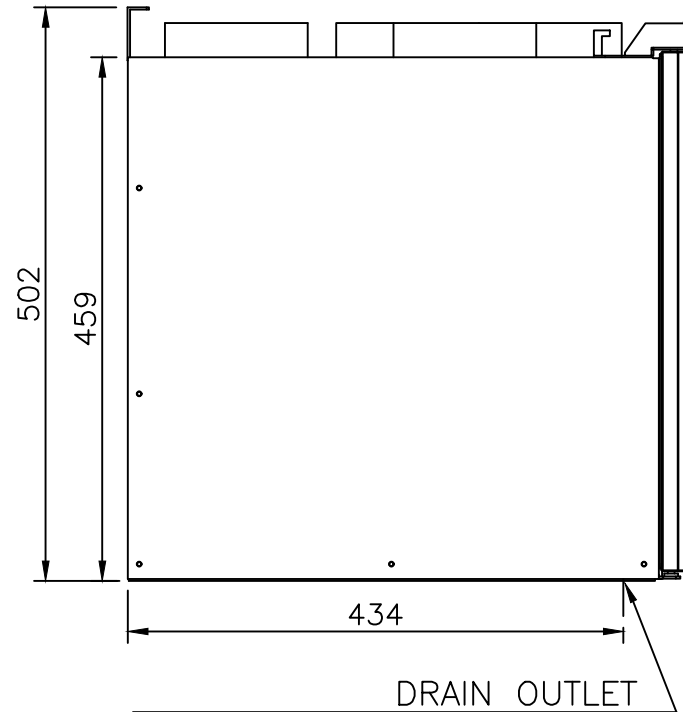
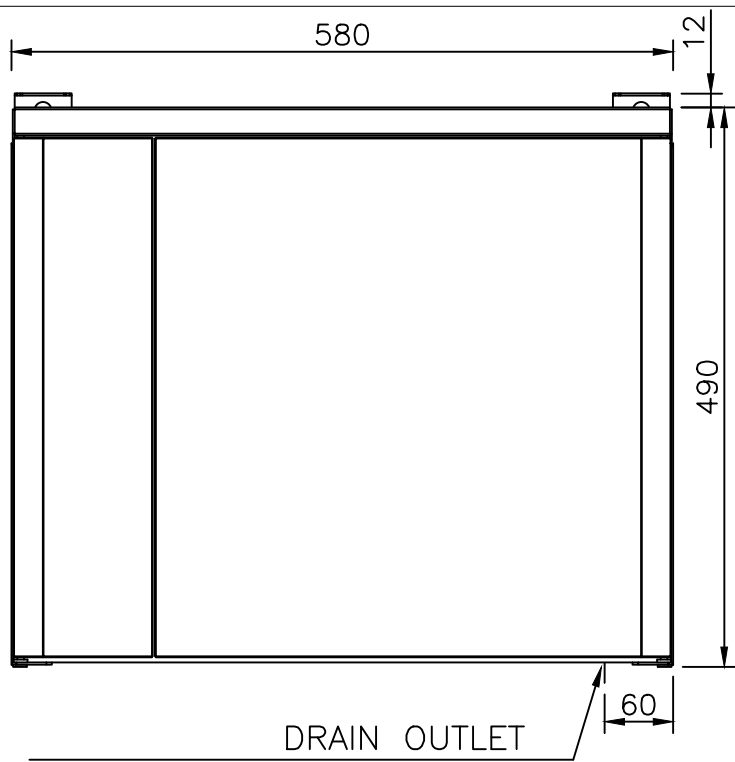
Item	Quantity	Title/Name, designation, material, dimension etc	Article no./Reference
Designed by	Checked by	Approved by	Filename
J.T			U:\PINGVIN
SALLA right ø125		Title/Name	Weight kg
		DIMENSION DRAWING	
Enervent Oy		Drawing number	Edition
Kipinatie1, FIN- 06150 PORVOO		SALLA 002	Sheet
Tel. +358-207-528800, enervent@ensto.com			1

Rev	Revision note	Date	Signature	Checked
				20020528



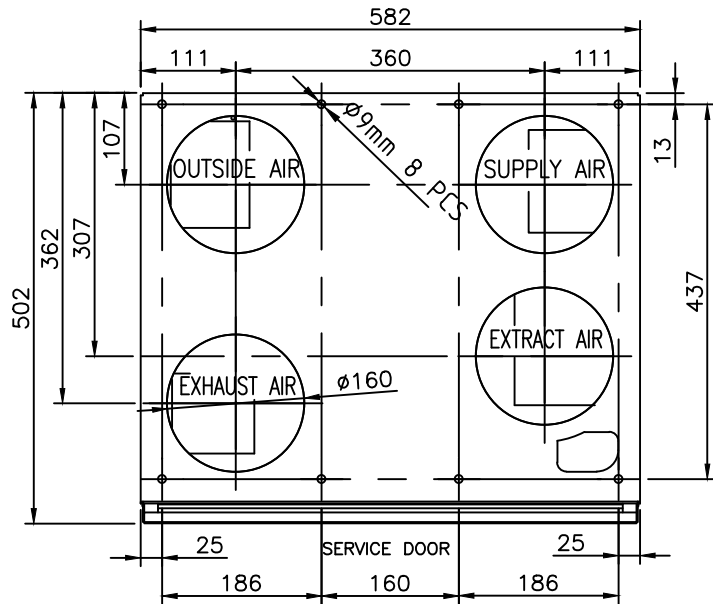
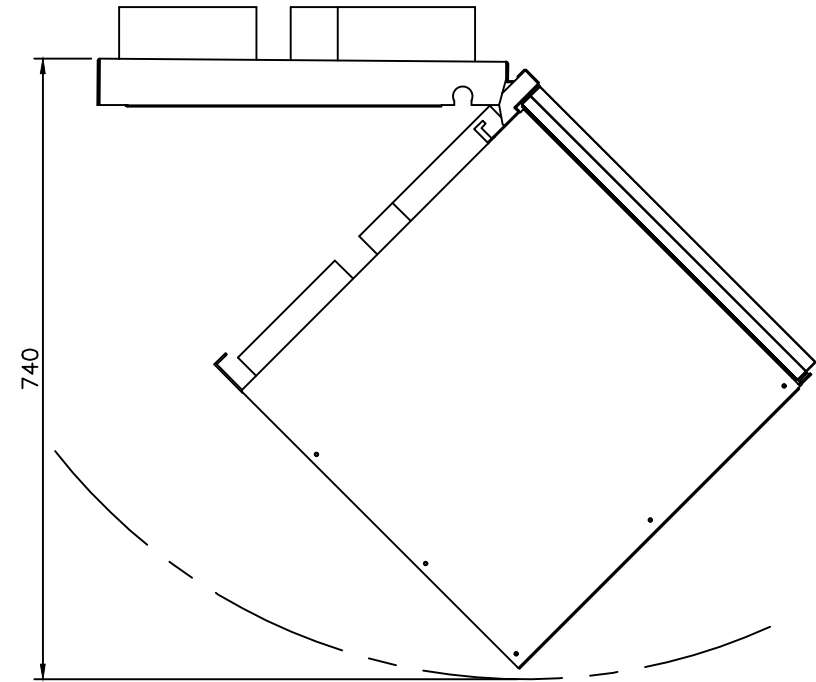
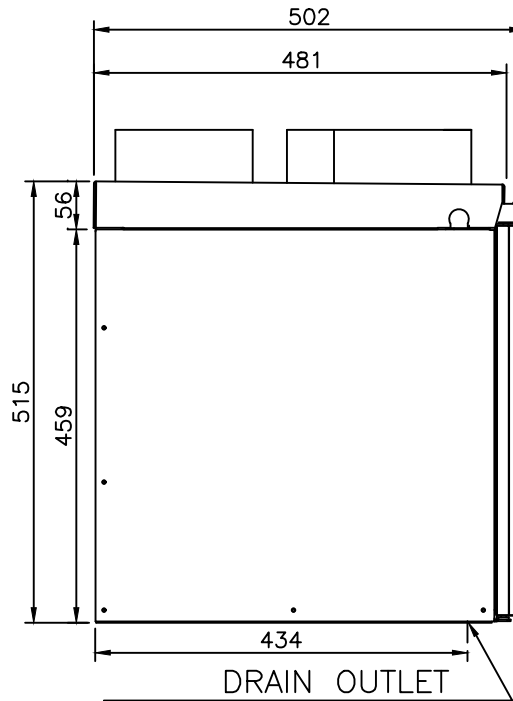
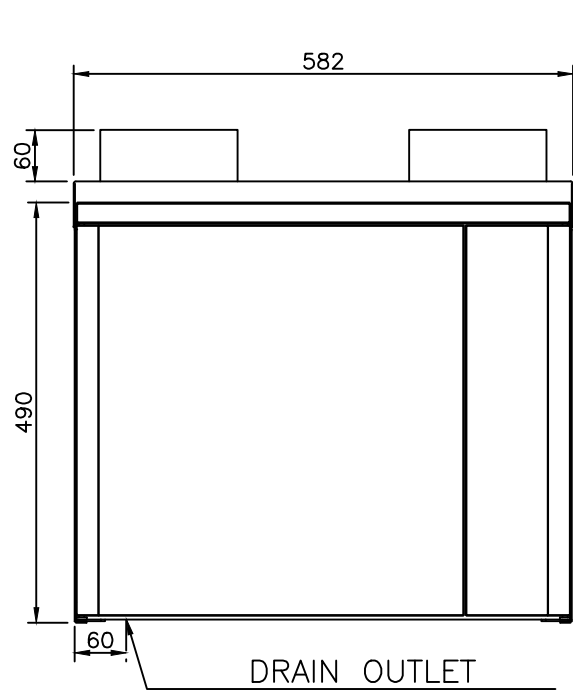
YLEISTOLERANSSIT		Item			Quantity			Title/Name, designation, material, dimension etc			Article no./Reference	
Hitsatut rakenteet: EN ISO 13920-AE		Designed by	Checked by	Approved by	Filename U:\PINGVIN			Date 2017 10 31		Scale 1:1		
Koneistetut osat: ISO 2768-mK		SALLA left $\varnothing 160$						Title/Name DIMENSION DRAWING			Weight kg	
20020528		Enervent Oy Kipinätie1, FIN- 06150 PORVOO Tel. +358-207-528800, enervent@ensto.com						Drawing number SALLA 003			Edition A	
Sheet		Signature		Checked		Date		Revision note		Rev		

Rev	Revision note	Date	Signature	Checked
-----	---------------	------	-----------	---------



YLEISTOLERANSSIT		Item			Quantity		Title/Name, designation, material, dimension etc			Article no./Reference	
Hitsatut rakenteet: EN ISO 13920-AE		Designed by	Checked by	Approved by	Filename U:\PINGVIN		Date 2017 10 31		Scale 1:1		
Koneistetut osat: ISO 2768-mK		SALLA left ø125					Title/Name DIMENSION DRAWING			Weight kg	
20020528		Enervent Oy Kipinätie1, FIN- 06150 PORVOO Tel. +358-207-528800, enervent@ensto.com					Drawing number SALLA 004			Edition A	
Sheet		Signature		Checked		Date		Revision note		Rev	

Rev	Revision note	Date	Signature	Checked
-----	---------------	------	-----------	---------

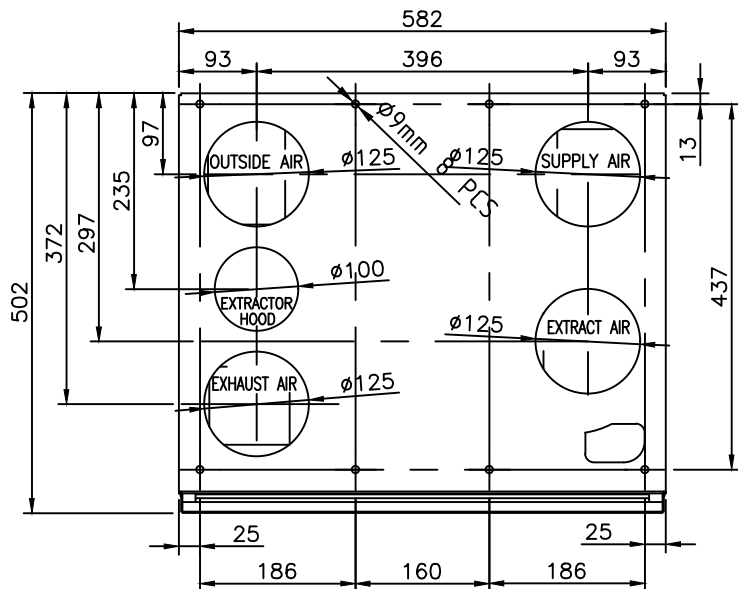
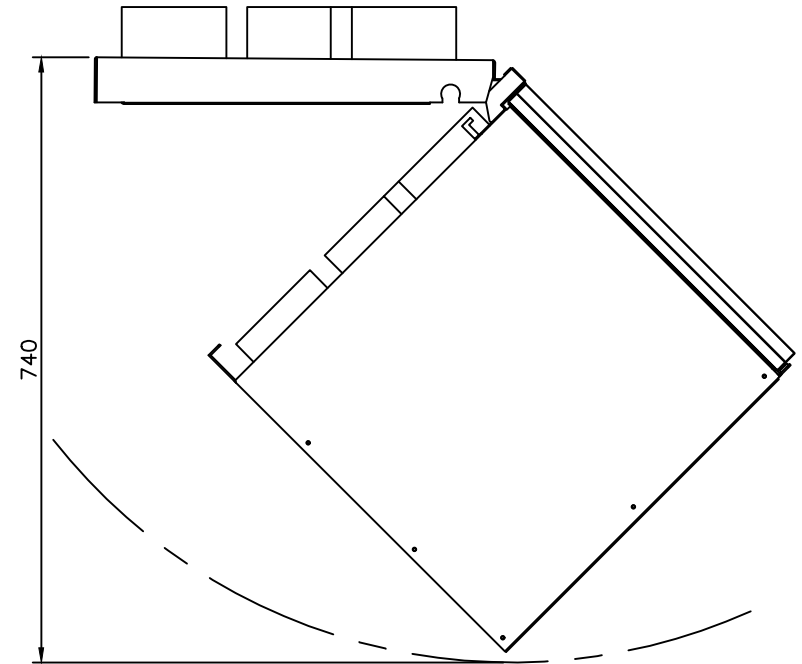
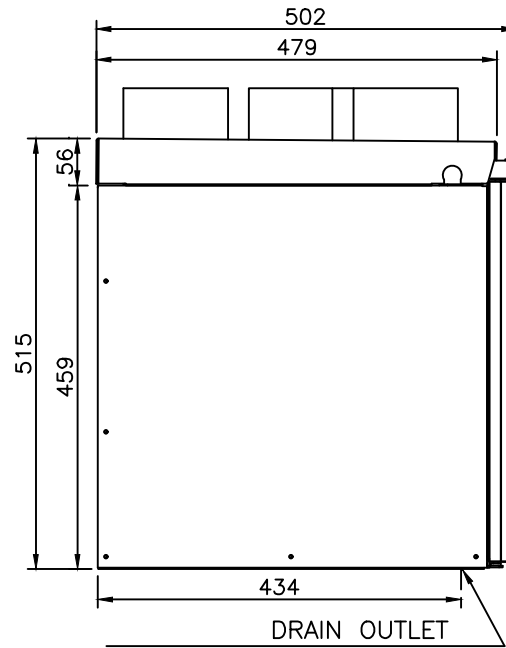
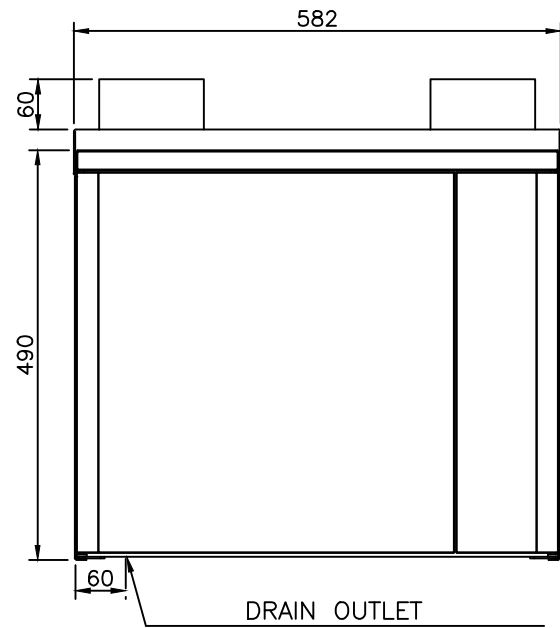


YLEISTOLERANSSIT  
Hitsatut rakenteet:  
EN ISO 13920-AE  
Koneistetut osat:  
ISO 2768-mK

Item	Quantity	Title/Name, designation, material, dimension etc	Article no./Reference
Designed by J.T	Checked by	Approved by	Filename U:\PINGVIN
SALLA right ø160			Date 2017 10 31
Title/Name DIMENSION DRAWING			Scale 1:1
Enervent Oy Kipinätie1, FIN-06150 PORVOO Tel. +358-207-528800, enervent@ensto.com			Weight kg
Drawing number SALLA 005			Edition A
			Sheet 1

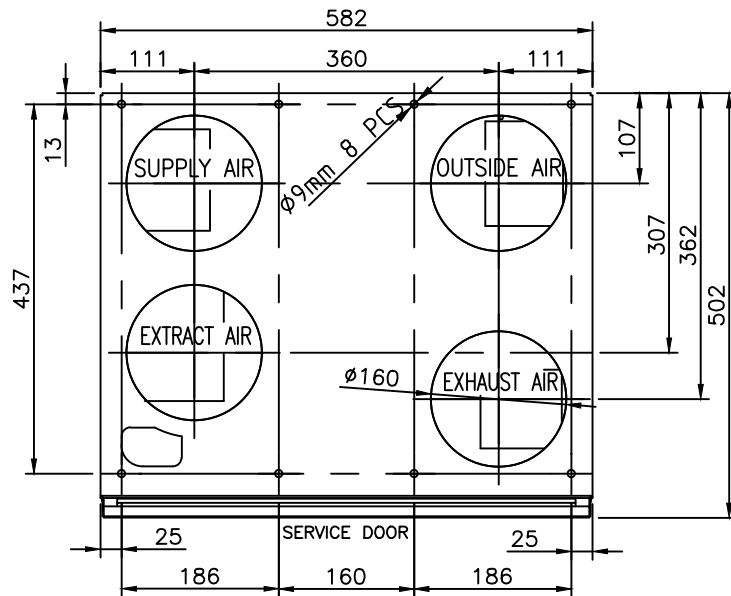
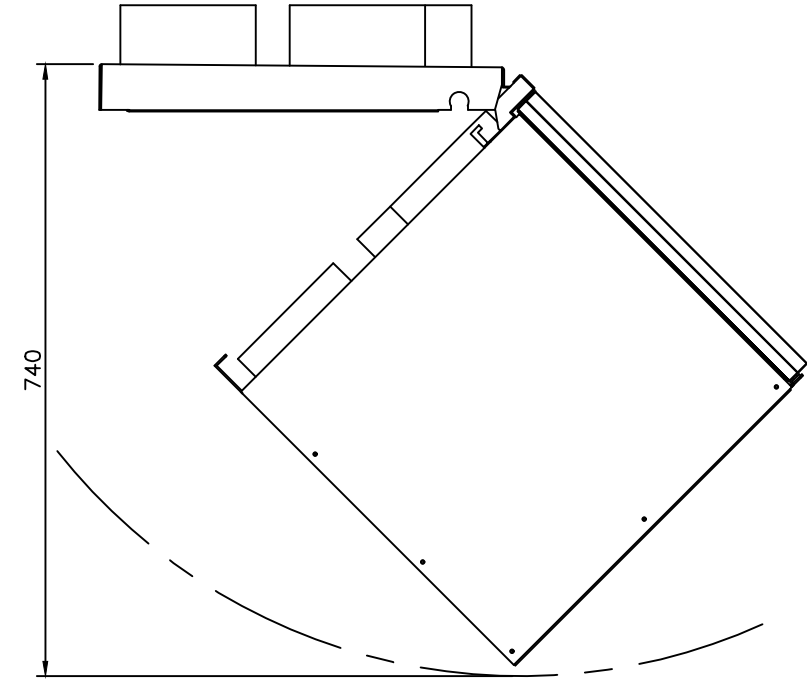
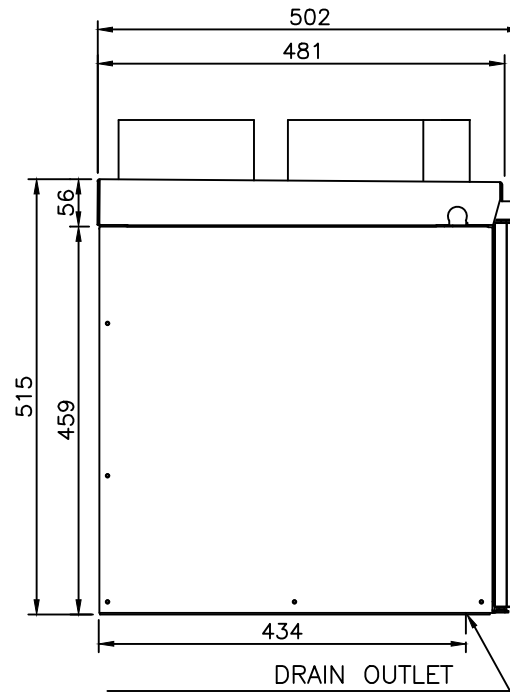
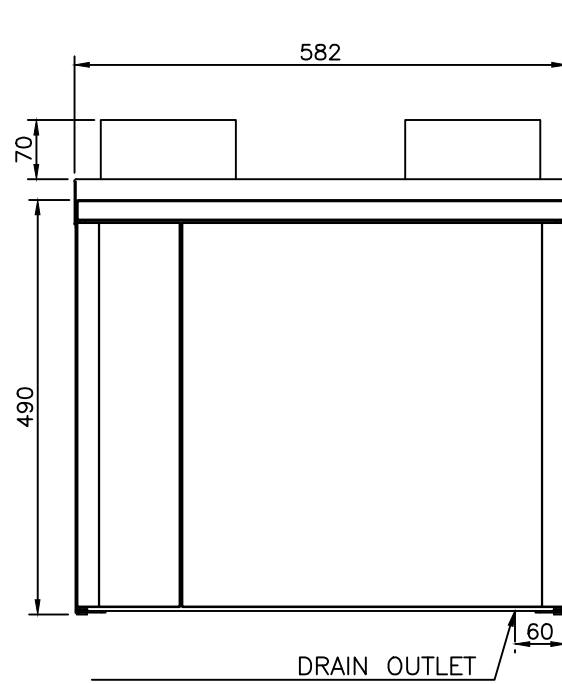
Rev	Revision note	Date	Signature	Checked

20020528



YLEISTOLERANSSIT Hitsatut rakenteet: EN ISO 13920-AE Koneistetut osat: ISO 2768-mK		Item	Quantity	Title/Name, designation, material, dimension etc	Article no./Reference
Designed by J.T	Checked by	Approved by	Filename U:\PINGVIN	Date 2017 10 31	Scale 1:1
SALLA right ø125			Title/Name DIMENSION DRAWING	Weight kg	
Enervent Oy Kipinätie1, FIN- 06150 PORVOO Tel. +358-207-528800, enervent@ensto.com			Drawing number SALLA 006	Edition A	Sheet 1

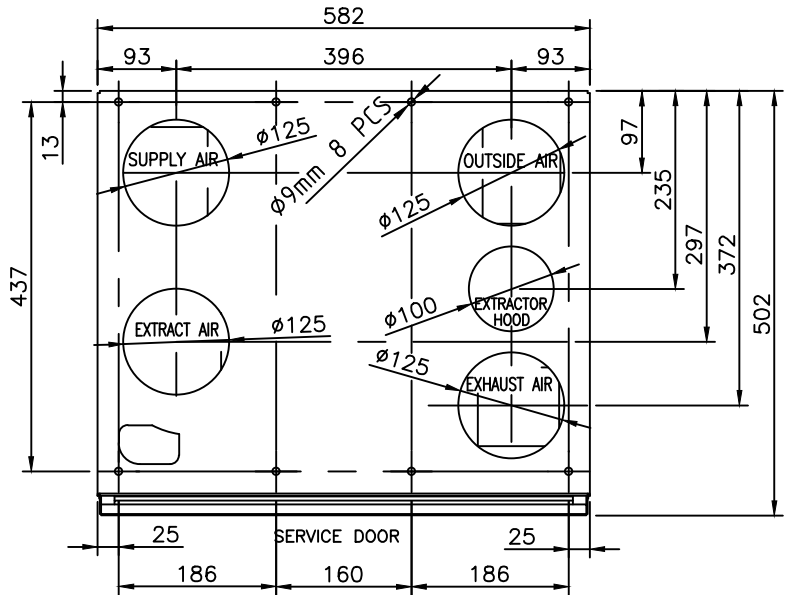
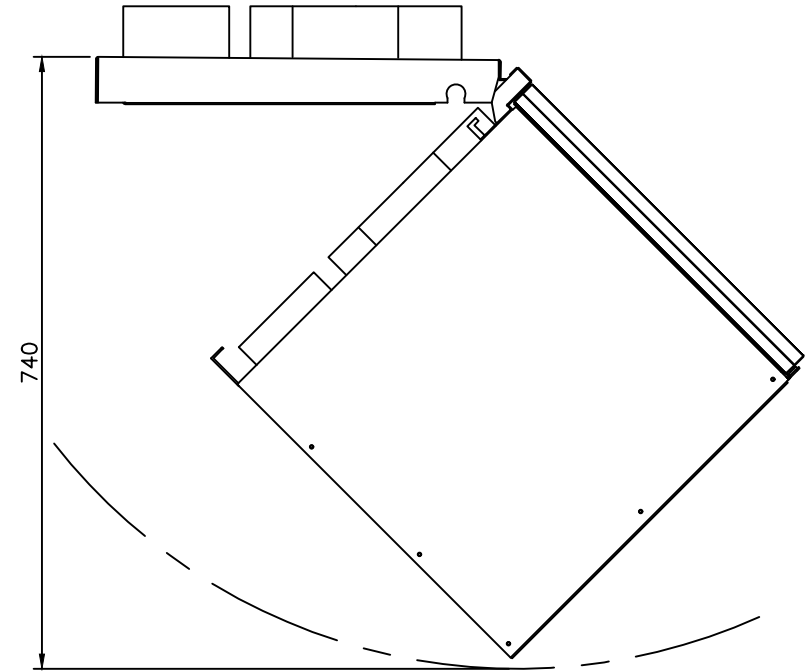
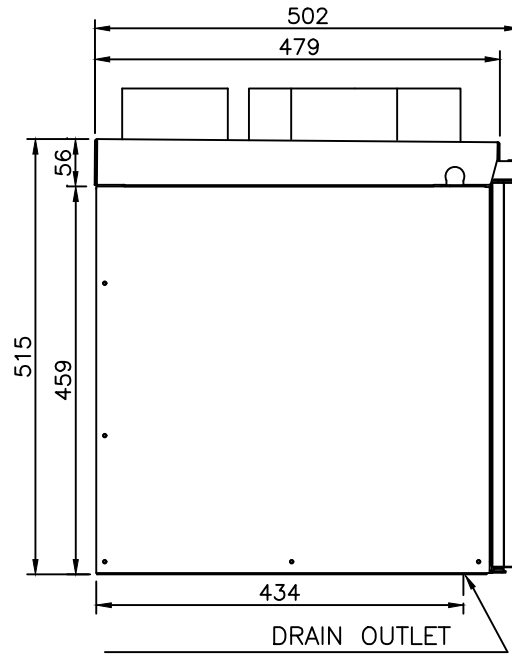
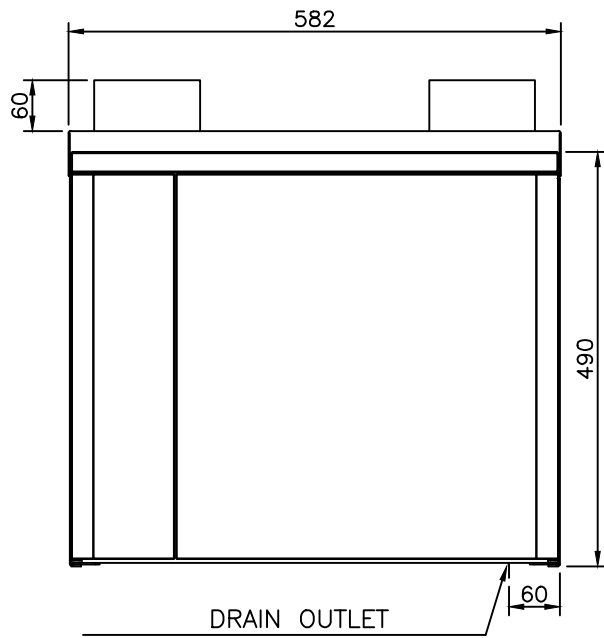
Rev	Revision note	Date	Signature	Checked
				20020528

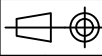


YLEISTOLERANSSIT  
Hitsatut rakenteet:  
EN ISO 13920-AE  
Koneistetut osat:  
ISO 2768-mK

Item	Quantity	Title/Name, designation, material, dimension etc	Article no./Reference
Designed by J.T	Checked by	Approved by	Filename U:\PINGVIN
SALLA left ø160			Date 2017 10 31
Title/Name DIMENSION DRAWING			Scale 1:1
Enervent Oy Kipinatie1, FIN- 06150 PORVOO Tel. +356-207-528800, enervent@ensto.com			Weight kg
Drawing number SALLA 007			Sheet 1
Edition A			

Rev	Revision note	Date	Signature	Checked
				20020528



YLEISTOLERANSSIT Hitsatut rakenteet: EN ISO 13920-AE Koneistetu osat: ISO 2768-mK		Item	Quantity	Title/Name, designation, material, dimension etc		Article no./Reference	
Designed by J.T	Checked by	Approved by	 Filename U:\PINGVIN		Date 2017 10 31	Scale 1:1	
SALLA left ø125				Title/Name DIMENSION DRAWING		Weight kg	
Enervent Oy Kipinatie1, FIN- 06150 PORVOO Tel. +356-207-528800, enervent@ensto.com				Drawing number SALLA 008		Edition A Sheet 1	

Rev	Revision note	Date	Signature	Checked
-----	---------------	------	-----------	---------

20020528