



Pallas[®]

Non-Electric Softeners

Pollet Pollet Water Group

Pallas[®]

Non-Electric Softeners



SIMPLEX & DUPLEX MODELS



NON-ELECTRIC



WORKS WITH HYDRAULIC
PRESSURE



UP TO 50% LESS SALT



UP TO 60% LESS WATER

THE PRINCIPLE

Pallas Non-Electric Softeners function only by the hydraulic pressure on the incoming water. The moving parts are brought into movement by a dynamic pressure starting from 0.8 bar. The appliances have no motors non-electric wires. They simply don't need them!

THE RANGE

The Pallas non-electric softeners are units developed, produced and distributed by the Pollet Water Group. All parts fit perfectly together. That is the reason why we can achieve, with smaller appliances, bigger results. A Pallas Non-Electric Softener is smaller than a conventional water softener and uses up to 50% less salt and up to 60% less water during regeneration. The Pallas Non-Electric softener is available as a single tanks unit (simplex) or as a double tank unit (duplex).

Pallas[®]

Non-Electric Simplex

The Pallas Non-Electric Simplex is an all-in-one device. It has small dimensions, but delivers great performances. Thanks to easy installation, you are quickly up and running. The softener is non-electrical operated and reduces your salt & water consumption drastically.



SIMPLEX ALL-IN-ONE



SMALL DIMENSIONS,
BIG PERFORMANCES



EASY INSTALLATION



NON-ELECTRIC OPERATION



REDUCED SALT & WATER
CONSUMPTION



Pallas[®]

Non-Electric Duplex

The duplex parallel version is your all-in-one device with a guarantee of soft water 24/7. Pallas Non-electric Duplex delivers high flow rates. Thanks to this duplex softener, you reduce your salt & water consumption with more than 50%.



DUPLEX PARALLEL
ALL-IN-ONE



SOFT WATER 24/7



HIGH FLOW RATES



NON-ELECTRIC OPERATION



REDUCED SALT & WATER
CONSUMPTION

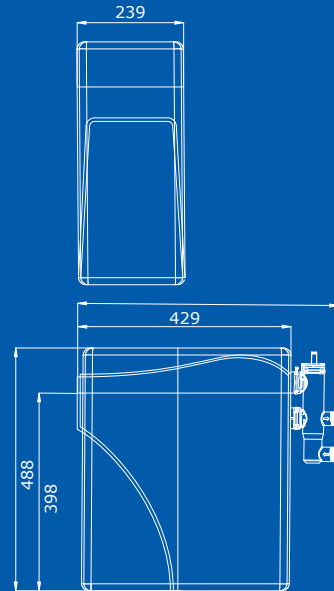


Pallas[®]

Non-Electric Simplex

TECHNICAL DATA

Bypass	3/4"
Working Pressure	1 - 8 bar*
Flow Rate (Δp 1 bar)	max. 1500 l/h
Exchange Capacity	150m ³ / ppm CaCO ₃
Water Usage / Regeneration	18 L
Salt Usage / Regeneration	0.3 kg
Regeneration Time	15 min.
Max. Temperature	40°C
Filterscreen	80µm

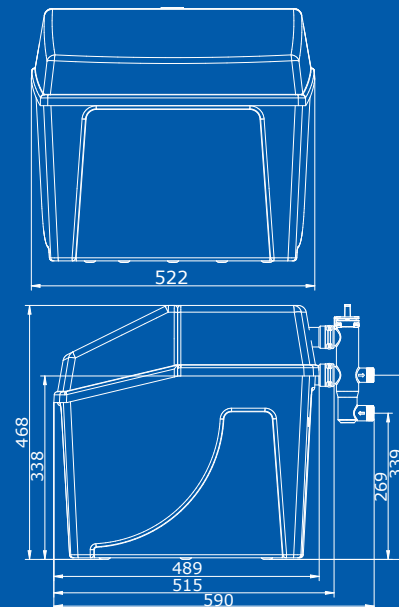


Pallas[®]

Non-Electric Duplex

TECHNICAL DATA

Bypass	3/4"
Working Pressure	1 - 8 bar*
Flow Rate (Δp 1 bar)	max. 2600 l/h
Exchange Capacity	150m ³ / ppm CaCO ₃
Water Usage / Regeneration	18 L
Salt Usage / Regeneration	0.3 kg
Regeneration Time	15 min.
Max. Temperature	50°C
Filterscreen	80µm



*For a correct regeneration, pallas non-electric softeners require a minimum outlet pressure of 0,8 bar.